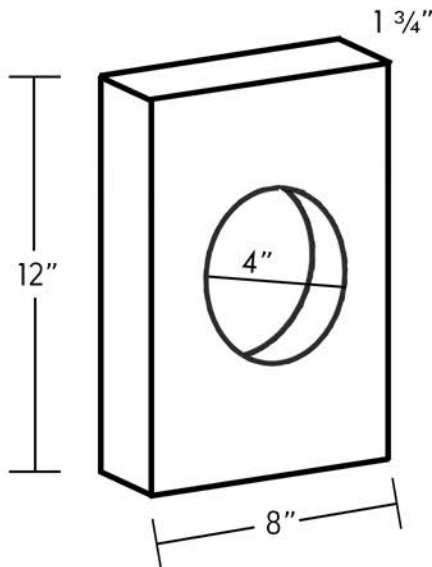


ACCESSORIES
TECHNICAL DATA

LIGHT BLOCK

DESCRIPTION	DIMENSIONS	QUANTITY PER BOX/ SKID	WEIGHT BY THE BOX/ SKID
SMOOTH SURFACE CHISELED EDGES COMMONLY USED TO HOUSE A LIGHT FIXTURE BASE	8" W 12" L 1 3/4" D	BY THE PIECE 12 PER BOX 192 PIECES PER SKID	10 LBS EACH 120 LBS PER BOX 1970 LBS PER SKID*

*50 LBS ADDED FOR PALLET WEIGHT



AVAILABLE COLORS



MEASUREMENT TOLERANCE: 1/4"